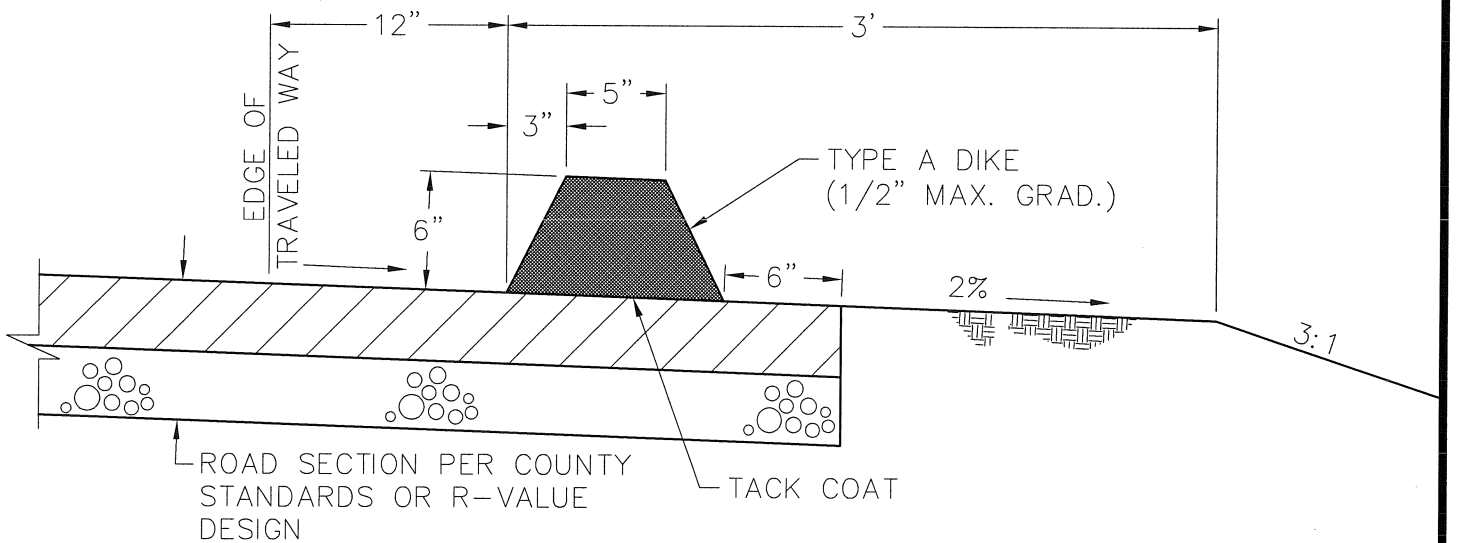


CUT SECTION



FILL SECTION

NOTES:

1. TRANSITION A.C. DIKE TO 2" LIP FOR DRIVEWAY OPENINGS.
2. FOR DIKE APPLICATIONS LEADING UP TO AND ADJACENT TO GUARD RAILS USE CALTRANS STANDARDS.

YUBA COUNTY DEPARTMENT OF PUBLIC WORKS	
ASPHALT CONCRETE DIKE	
 APPROVED BY:	8-29-06 DATE:
207	